

AXOR ShowerComposition
Thermostatic module 540/110 for concealed installation for 3 functions
Finish: **Chrome** Article Number: **12572000**



product features

- consists of: thermostatic module, shower holder, baton hand shower, textile shower hose
- 3 functions
- simultaneous use of several outlets
- sliding movement of handle for switching water on and off
- temperature and water flow control
- depending on volume flow and installation situation approx. 50% flow rate reduction and integrated shut off function
- thermostat cartridge, Start/stop valve to operate the functions
- maximum flow rate at 3 bar: 26,6 l/min
- flow rate lower outlet: 20 l/min
- flow rate by simultaneous use of all outlets: 32,7 l/min
- min. operating pressure: 1 bar
- max. operating pressure: 10 bar
- Safety stop at 40 °C
- temperature limitation adjustable
- non-return valve
- connection type: basic set
- spray type hand shower: Rain, Mono

Technology



Design awards



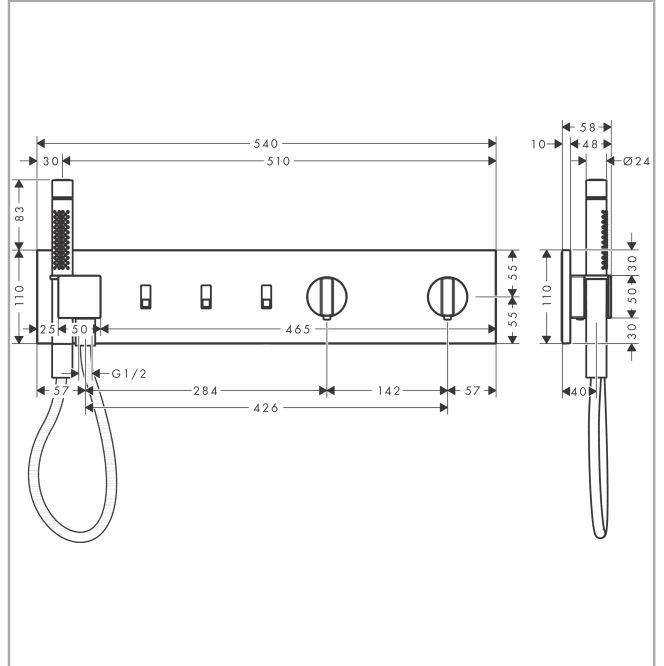
AXOR ShowerComposition
Thermostatic module 540/110 for concealed installation for 3 functions
 Finish: **Chrome** Article Number: **12572000**



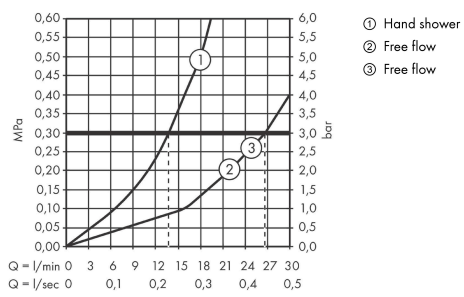
Product image



Scale drawing



Flowchart



AXOR ShowerComposition
Thermostatic module 540/110 for concealed installation for 3 functions
 Finish: **Chrome** Article Number: **12572000**



Installation examples

AXOR 540/110
 12572XXX

